

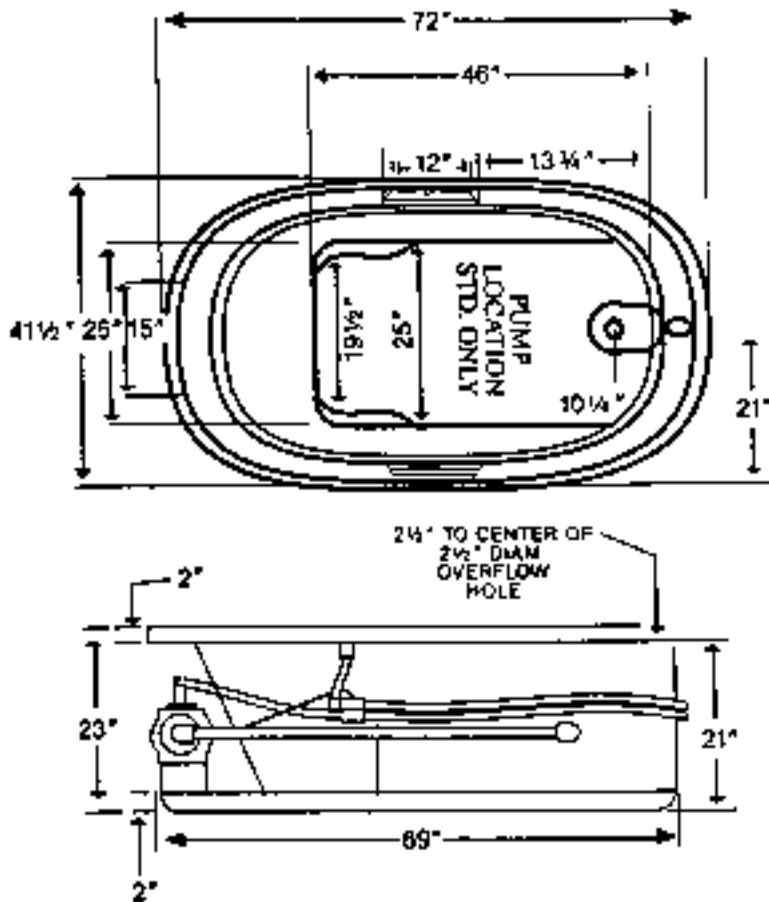
SPARK

MODEL: #4272-YW

ACRYLIC BATH ONLY: #4272-YT

The acrylic whirlpool bath shall be model #4272-YW (4272-YT) as manufactured by Laurel Mountain Whirlpools, Inc. It shall be constructed of .125 thick cast acrylic sheet, backed by layers of polyester resin and fiberglass roving. It will be mounted on a FRP pre-leveled base. All components will be UL listed and approved. The pump motor will be 2 horsepower (1 phase, 115V, 60HZ, 3450 RPM, pre-mounted) and the plumbing system will be rigid PVC. The unit will contain 6 multi-directional, adjustable jets, dual air controls and a safety suction fitting. Access to pump and plumbing system must be provided by installer in accordance with established plumbing and electrical codes.

ELECTRICAL SPECIFICATIONS - 115V, 20 AMP, GFCI Protected Circuit. Additional identical circuit required with installed heater. If optional Solo Touch electronic on/off is installed, a 120 VAC, 20 AMP, GFCI dedicated circuit is required.



| SPECIFICATIONS | WHIRLPOOL | TUB |
|--|------------|------------|
| 72" x 41 1/2" x 23" Lip 2" | | |
| Water Capacity - Operating Level | 45.0 gal. | |
| - To Overflow | 82.0 gal. | 82.0 gal. |
| Approx. Unit Weight | 190.0 lbs. | 155.0 lbs. |
| Approx. Shipping Weight | 260.0 lbs. | 225.0 lbs. |

*All dimensions are +/- 3/8" and subject to change without notice. Always pre-measure tub/whirlpool prior to framing alcove or creating deck installation cut out.

ELECTRICAL REQUIREMENTS: 115V, 20 AMP, GFCI Protected Circuit. Additional source circuit required for optional In-Line "I" Heater. 120 VAC, 20 Amp, GFCI dedicated circuit required with option "Solo Touch" On/off control