



VERSION III & IV

III MODEL: #3660-EW
 ACRYLIC BATH ONLY: #3660-ET

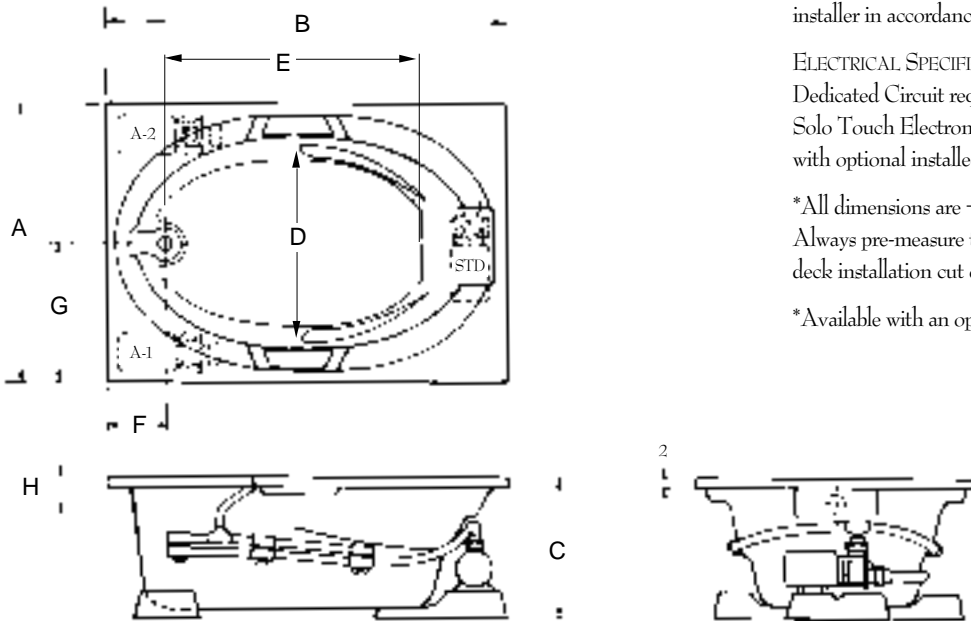
IV MODEL: #3672-EW
 ACRYLIC BATH ONLY: #3672-ET

The acrylic whirlpool bath models shown on this page are manufactured by Laurel Mountain Whirlpools, Inc. The models shall be constructed of .125 thick cast acrylic sheet, backed by layers of polyester resin and fiberglass roving. It will be mounted on a FRP pre-leveled base. All components will be UL listed and approved. The pump motor will be 2 horsepower (1 phase, 115V, 60HZ, 3450 RPM, pre-mounted) and the plumbing system will be rigid PVC. The unit will contain 6 multi-directional, adjustable jets, dual air controls and a safety suction fitting. Access to pump and plumbing system must be provided by installer in accordance with established plumbing and electrical codes.

ELECTRICAL SPECIFICATIONS - 115V, 20 AMP, GFCI Protected Dedicated Circuit required for either Standard Air Switch or optional Solo Touch Electronic System. Additional identical circuit required with optional installed heater.

*All dimensions are +/- 3/8" and subject to change without notice. Always pre-measure tub/whirlpool prior to framing alcove or creating deck installation cut out.

*Available with an optional attachable skirt with removable access panel.



MODEL #	A	B	C	D	E	F	G	H
3660-EW / 3660-ET	36	60	21½	22	36	10	18	5½
3672-EW / 3672-ET	36	72	21½	22	48	10	18	5½

MODEL #	WATER CAPACITY OPERATING LEVEL	WATER CAPACITY TO OVERFLOW	APPROX. UNIT WT.	APPROX. SHIPPING WT.
3660-EW	42 gal.	51 gal	140 lbs.	200 lbs.
3660-ET	-	51 gal	115 lbs.	170 lbs.
3672-EW	54 gal.	63 gal.	150 lbs.	210 lbs.
3672-ET	-	63 gal.	125 lbs.	180 lbs.