

ELMONT I & II

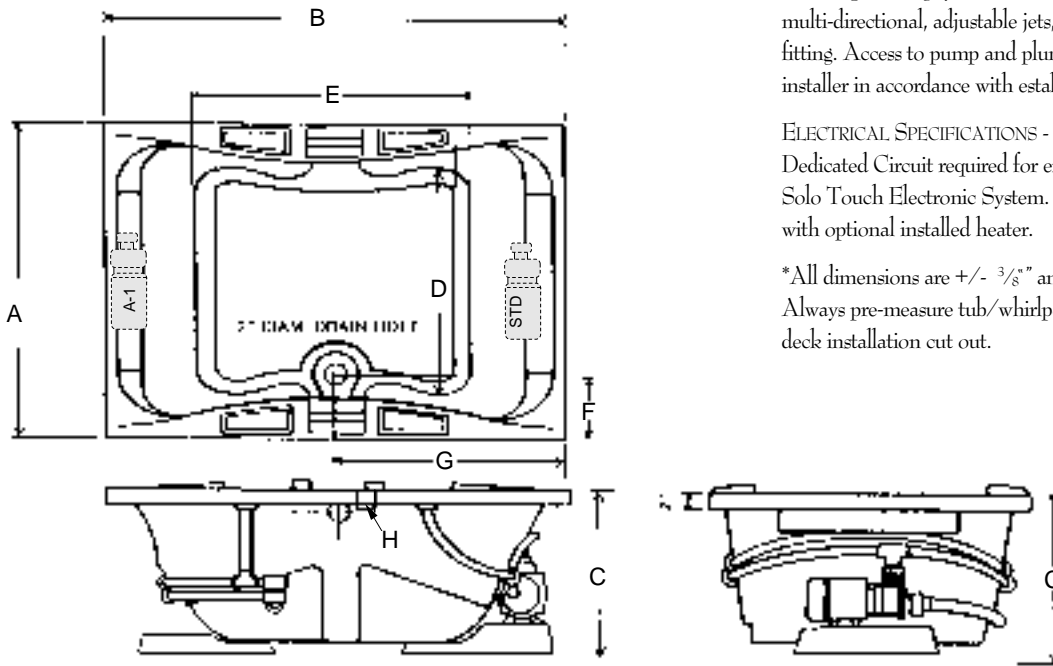
I MODEL: #4260-DW
 ACRYLIC BATH ONLY: #4260-DT

II MODEL: #4872-DW
 ACRYLIC BATH ONLY: #4872-DT

The acrylic whirlpool bath models shown on this page are manufactured by Laurel Mountain Whirlpools, Inc. The models shall be constructed of .125 thick cast acrylic sheet, backed by layers of polyester resin and fiberglass roving. It will be mounted on a FRP pre-leveled base. All components will be UL listed and approved. The pump motor will be 2 horsepower (1 phase, 115V, 60HZ, 3450 RPM, pre-mounted) and the plumbing system will be rigid PVC. The unit will contain 6 multi-directional, adjustable jets, dual air controls and a safety suction fitting. Access to pump and plumbing system must be provided by installer in accordance with established plumbing and electrical codes.

ELECTRICAL SPECIFICATIONS - 115V, 20 AMP, GFCI Protected Dedicated Circuit required for either Standard Air Switch or optional Solo Touch Electronic System. Additional identical circuit required with optional installed heater.

*All dimensions are +/- 3/8" and subject to change without notice. Always pre-measure tub/whirlpool prior to framing alcove or creating deck installation cut out.



MODEL #	A	B	C	D	E	F	G	H
4260-DW / 4260-DT	41 ³ / ₄	59 ⁵ / ₈	23	27	43	7	29 ³ / ₄	4 ¹ / ₄
4872-DW / 4872-DT	48	71 ¹ / ₄	23	34	50	8	35 ⁵ / ₈	3 ³ / ₄

MODEL #	WATER CAPACITY OPERATING LEVEL	WATER CAPACITY TO OVERFLOW	APPROX. UNIT WT.	APPROX. SHIPPING WT.
4260-DW	55 gal.	93 gal	170 lbs.	240 lbs.
4260-DT	-	93 gal	135 lbs.	205 lbs.
4872-DW	66 gal.	115 gal.	210 lbs.	280 lbs.
4872-DT	-	115 gal.	175 lbs.	245 lbs.