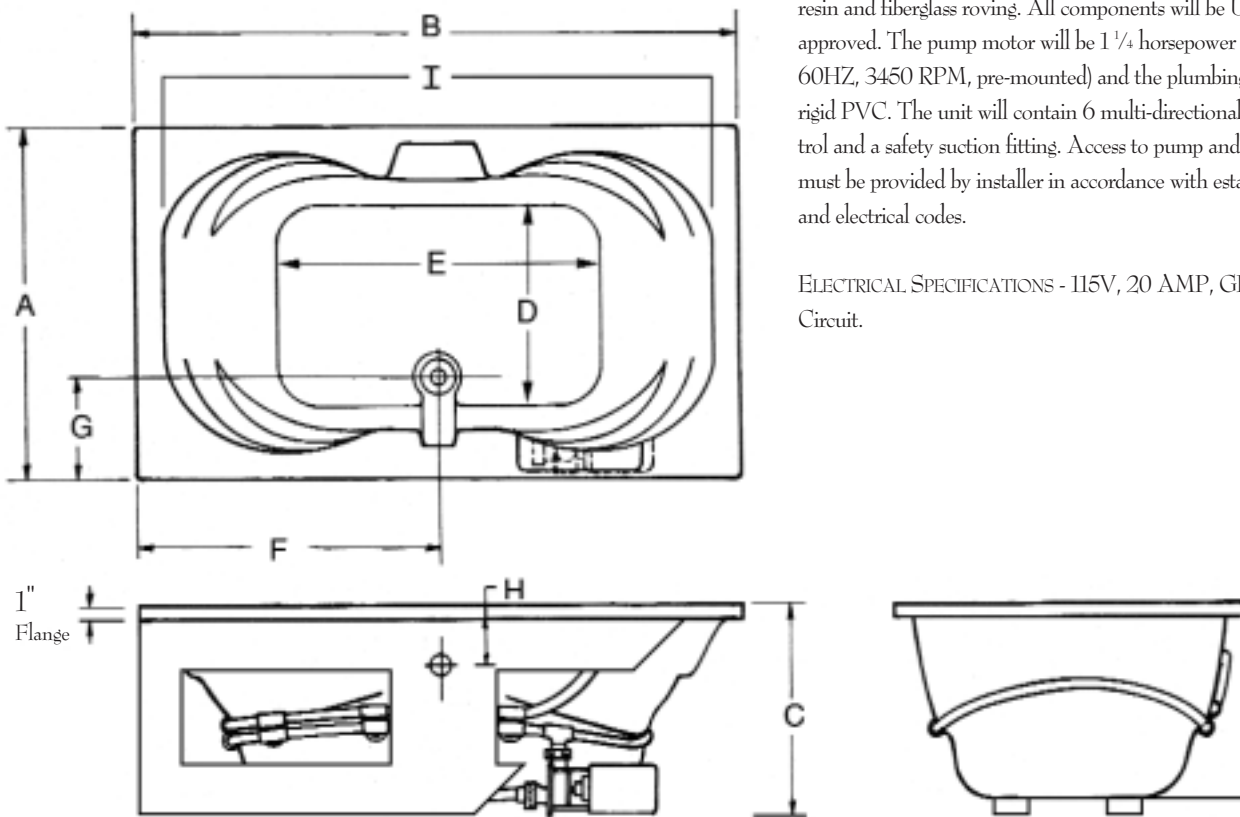


LAUREL MOUNTAIN
 L C O V E
 T R A D E I

MODEL: #4260-ATW
 ACRYLIC BATH ONLY: #4260-ATT

The acrylic whirlpool bath shall be model #4260-ATW (4260-ATT) as manufactured by Laurel Mountain Whirlpools, Inc. It shall be constructed of .100 thick cast acrylic sheet, backed by layers of polyester resin and fiberglass roving. All components will be UL listed and approved. The pump motor will be 1 1/4 horsepower (1 phase, 115V, 60HZ, 3450 RPM, pre-mounted) and the plumbing system will be rigid PVC. The unit will contain 6 multi-directional jets, one air control and a safety suction fitting. Access to pump and plumbing system must be provided by installer in accordance with established plumbing and electrical codes.

ELECTRICAL SPECIFICATIONS - 115V, 20 AMP, GFCI Protected Circuit.



| MODEL # | A | B | C | D | E | F | G | H | I |
|-------------------|-----------------|--------|----------------|----|----------|--------------|--------|-------|----|
| 4260 ATW/4260 ATT | 41 3/4 | 59 3/4 | 23 1/4 | 26 | 36 | 29 3/4 | 11 3/4 | 3 3/4 | 55 |
| MODEL # | WATER CAPACITY | | WATER CAPACITY | | APPROX | APPROX | | | |
| | OPERATING LEVEL | | TO OVERFLOW | | UNIT WT. | SHIPPING WT. | | | |
| 4260 ATW | 55 | | 98 | | 170 | 210 | | | |
| 4260 ATT | - | | 98 | | 140 | 180 | | | |

PUMP MOTOR: Standard 1 1/4 HP, Single Phase, 115V, 60HZ, 3425 RPM, Pre-installed (factory)

ELECTRICAL REQUIREMENTS: 115V, 20 AMP, GFCI Protected Circuit.